



Intellectual
Property
Office

Certificate of Registration for a UK Design

6168832

07 October 2021

This is to certify that,

in pursuance of and subject to the provision of Registered Designs Act 1949, the design of which a representation or specimen is attached, had been registered as of the date of registration shown above in the name of

PEAK DESIGN

in respect of the application of such design to:

Wallet mount for a mobile device case

International Design Classification:

Version: 13-2021

Class: 03 TRAVEL GOODS, CASES, PARASOLS AND PERSONAL BELONGINGS, NOT ELSEWHERE SPECIFIED

Subclass: 01 TRUNKS, SUITCASES, BRIEFCASES, HANDBAGS, KEYHOLDERS, CASES SPECIALLY DESIGNED FOR THEIR CONTENTS, WALLETS AND SIMILAR ARTICLES

Tim Moss

Comptroller-General of Patents, Designs and Trade Marks
Intellectual Property Office

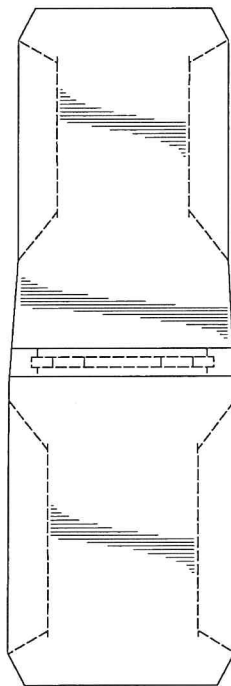
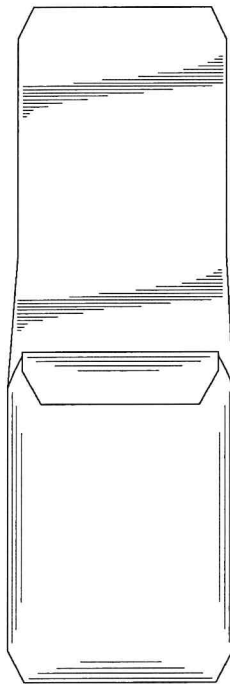
The attention of the Proprietor(s) is drawn to the important notes overleaf.

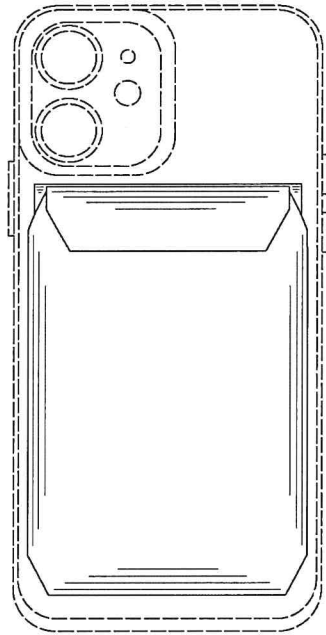


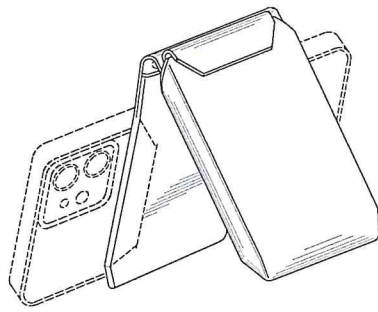
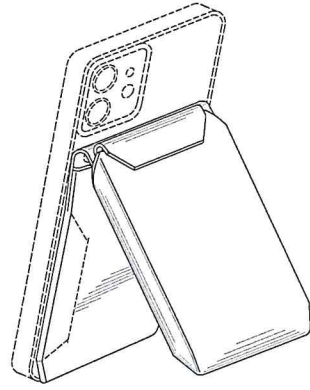
Intellectual Property Office is an operating name of the Patent Office

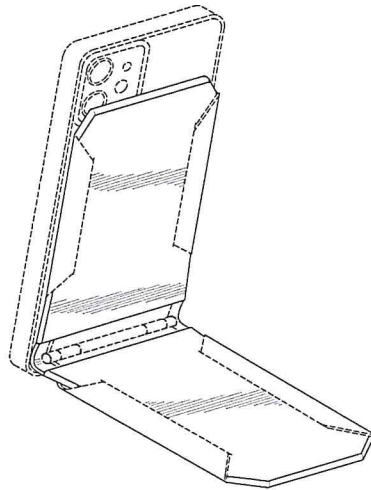
www.gov.uk/ipo

Representation of Designs









Intellectual Property Office is an operating name of the Patent Office

www.gov.uk/ipo